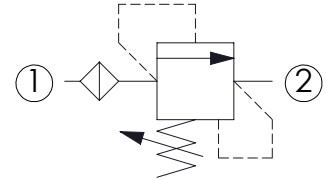
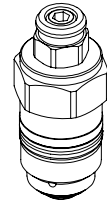
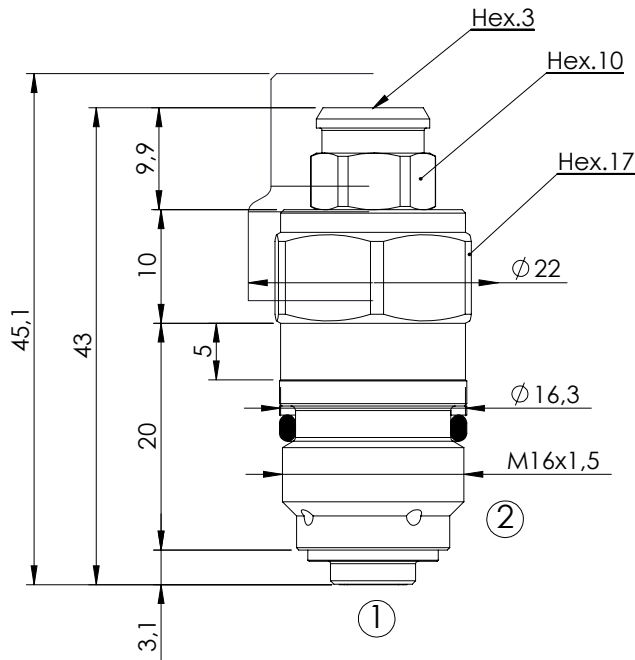


RELIEF VALVE

CPLN-005-DPNA

**DIRECT ACTING
WITH FILTER
VITON SEAL**

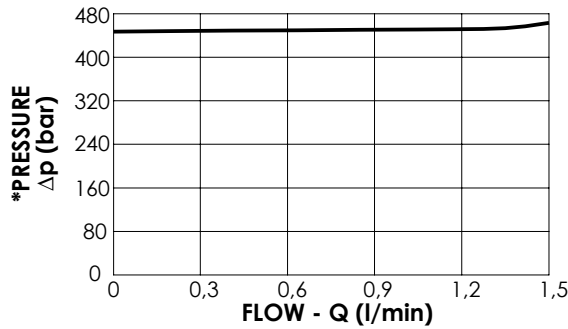


SPECIFICATIONS

Max. operating pressure:	460 bar
Rated flow:	1,5 l/min
Cavity:	VP000005
Weight:	0,05 kg

SEALING CAP

Ordering code:
ST000014



NOTES

Installation torque:	27 - 33 Nm
Seal kit:	RC800005

ORDERING CODES

Quick code	Description	Standard setting (bar/cracking pressure)	Adjustment range (bar)	Pressure increase (bar/turn)
CP000374	CPLN-005-DPNA-PF-005-V460	460	150-460	236