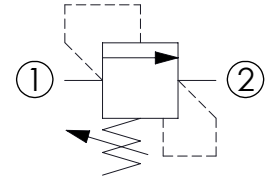
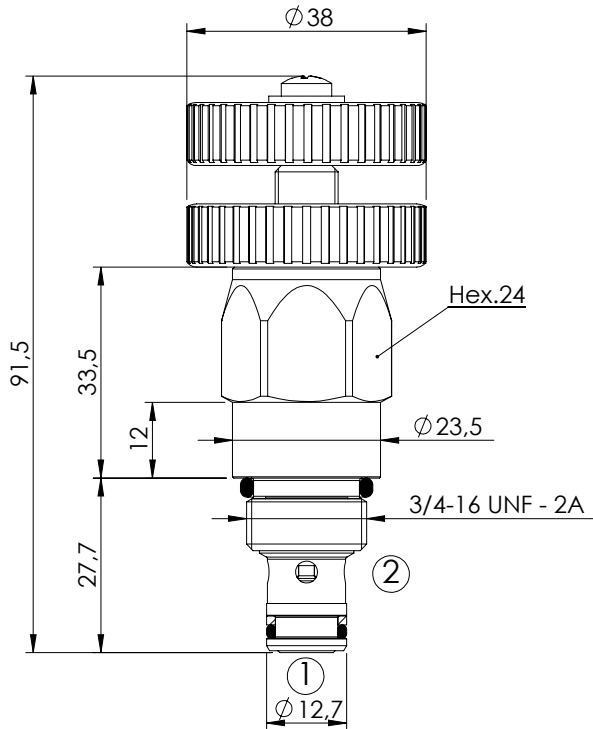
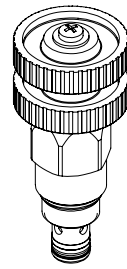


RELIEF VALVE

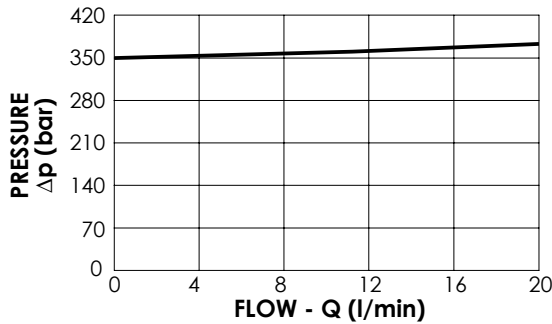
CPLN-020-DPNA

DIRECT ACTING



SPECIFICATIONS

Max. operating pressure:	350 bar
Rated flow:	20 l/min
Cavity:	SAE-08-2N
Weight:	0,18 kg



NOTES

Installation torque:	45 - 50 Nm
Seal kit:	RA700081

ORDERING CODES

Quick code	Description	Standard setting (bar, Q=5 l/min)	Adjustment range (bar)	Pressure increase (bar/turn)
CP000173	CPLN-020-DPNA-VN-S08-N350	350	20-350	56