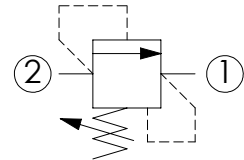
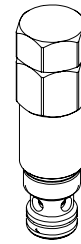
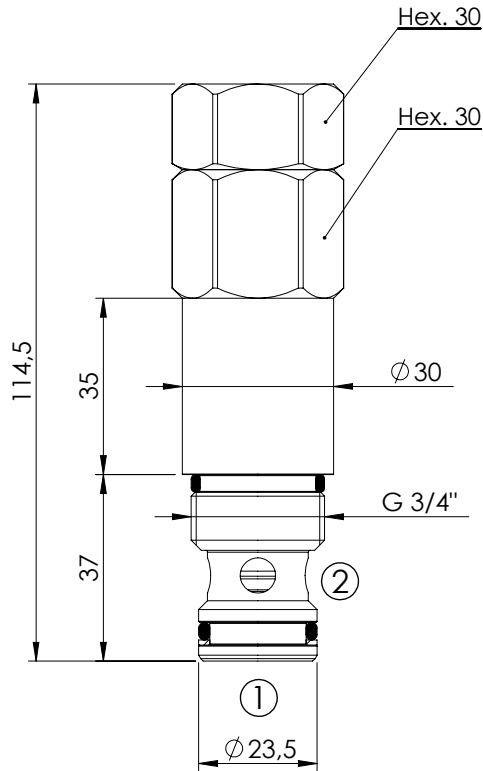


RELIEF VALVE

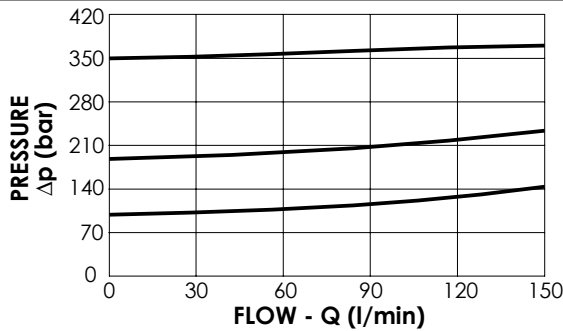
CPLN-150-DHGD

DIFFERENTIAL AREA
POPPET TYPE



SPECIFICATIONS

Max. operating pressure:	350 bar
Rated flow:	150 l/min
Cavity:	VP000070
Weight:	0,48 kg



NOTES

Installation torque:	110 - 130 Nm
Seal kit:	RC700070

ORDERING CODES

Quick code	Description	Standard setting (bar, Q=5 l/min)	Adjustment range (bar)	Pressure increase (bar/turn)
CP000022	CPLN-150-DHGD-HN-070-N350	350	130-350	111
CP000018	CPLN-150-DHGD-HN-070-N200	200	70-210	73
CP000021	CPLN-150-DHGD-HN-070-N100	100	30-100	32