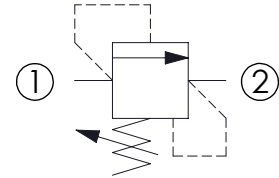
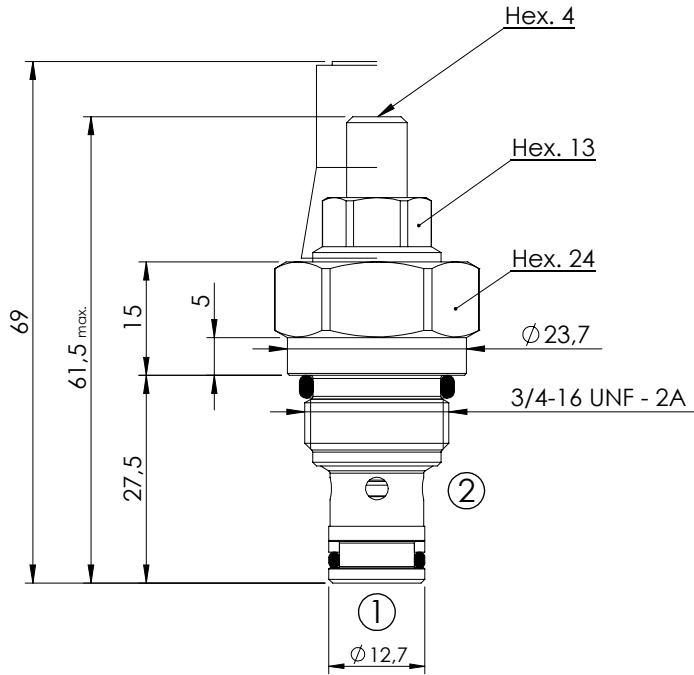
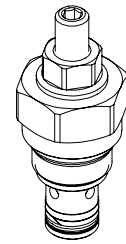


RELIEF VALVE

**CPLN-010-DHNA**

**DIRECT ACTING  
HARDENED SEAT**

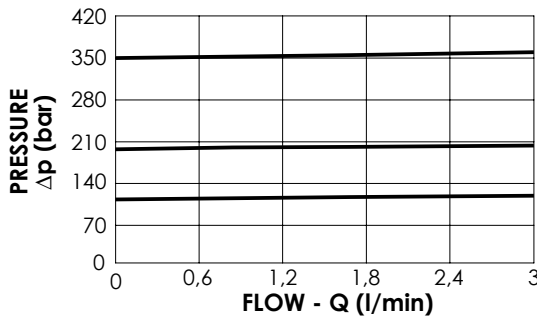
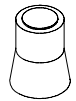


**SPECIFICATIONS**

Max. operating pressure:	350 bar
Rated flow:	3 l/min
Cavity:	SAE-08-2N
Weight:	0,1 kg

**SEALING CAP**

Ordering code:  
**AT000020**



**NOTES**

Installation torque:	45 - 50 Nm
Seal kit:	RA700081

**ORDERING CODES**

Quick code	Description	Standard setting (bar, Q=0,2 l/min)	Adjustment range (bar)	Pressure increase (bar/turn)
CP000006	CPLN-010-DHNA-SN-S08-N350	350	140-350	142
CP000055	CPLN-010-DHNA-SN-S08-N200	200	90-210	87
CP000056	CPLN-010-DHNA-SN-S08-N100	100	35-110	47